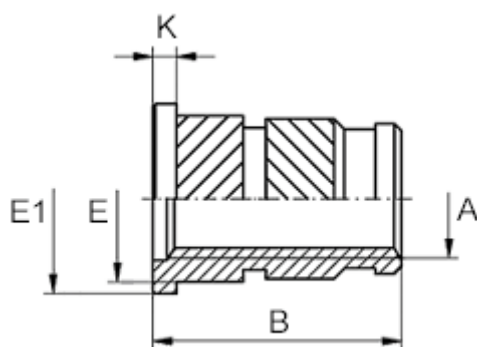


Data Sheet



Article number: 12862000020800
Description: KLEE-coil 862 000 020.800
M2 Brass

Measures



Female thread A	= M2
Flange diameter E1	= 4.8
Flange height	= 0.6
Length B	= 4.6
Min distance to edge	= 2.0
Outer diameter E	= 3.6
Recommended bore diameter $W +0.1$	= 3.2